

E-SERIES E-PULSE™ ELECTRIC TORQUE WRENCH PUMPS

High productivity through innovative design



ENERPAC 

▼ EP3504TE, E-Pulse Torque Wrench Pump



Performance

- **Two-stage pump with high by-pass pressure:**
3,6 l/min at 200 bar, 0,52 l/min at 700 bar
- **Smart controls enable motor to maintain constant power across the pressure range**
- **24VDC power regulator minimizes effects of poor power supply**
- **Six-piston block design provides even flow for smooth operation of cylinder or tool.**

Durability

- **Durable aluminium housing**
- **Integrated heat exchanger minimizes heat buildup**
- **High-efficiency permanent magnet, direct drive motor enables continuous use and long service life**
- **Built-in thermal protection**
- **IP Rating: IP54 on the pump, IP67 on the pendant.**

Convenience

- **Integrated calibrated pressure gauge**
- **Interactive pendant with smart controls**
- **Pendant and cord management system**
- **Intelligent Auto-Cycle enables press and release actuation to cycle torque wrench until final torque is achieved**
- **User can set pressure and operate in manual or auto-cycle mode**
- **Convenient oil fill port, oil level indicator and automatic breather.**

Productivity through innovation



Bolting Integrity Software

A comprehensive on-line software solutions for Bolted Joint Integrity. The software offers Tool selection, Bolt Load calculations and Tool pressure settings, as well as, a combined Application Data Sheet and Joint Completion Report. Custom Joint information can also be entered.



Torque Wrenches

The following torque wrenches are ideal for use with the E-Pulse Wrench Pumps:

S-Series	W-Series	RSL-Series
S1500X	W2000X	RSL1500
S3000X	W4000X	RSL3000
S6000X	W8000X	RSL5000

Larger torque wrenches will work with the pump, but application speed will be impacted.



Torque Wrench Hoses

Use Enerpac 700 bar THQ-700 Series torque wrench hoses with torque wrenches and pumps

2 m long, 2 hoses	THQ-702T
6 m long, 2 hoses	THQ-706T
12 m long, 2 hoses	THQ-712T

E-Pulse™, Electric Torque Wrench Pumps



E-Pulse Torque Wrench Pumps

The Enerpac E-Pulse Electric Torque Wrench Pump, through its innovative design, is ideal for high volume fastening applications where weight is a critical factor. Smart controls enable the motor to maintain constant power providing higher flow than traditional pumps.

The durable aluminum housing, integrated heat exchanger and highly efficient permanent magnet motor minimize heat buildup in the toughest environments. The interactive pendant provides the operator a number of usage options for optimal efficiency. The E-Pulse Torque Wrench Pump is the pinnacle of bolting equipment.

E Series

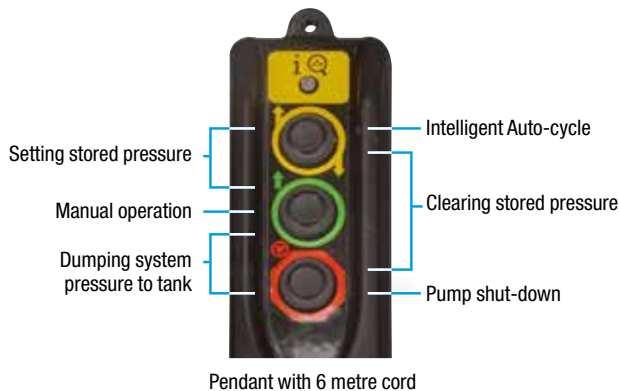


Reservoir Capacity:
3,0 litres

Flow at Rated Pressure:
0,52 l/min

Motor Size:
0,63 kW

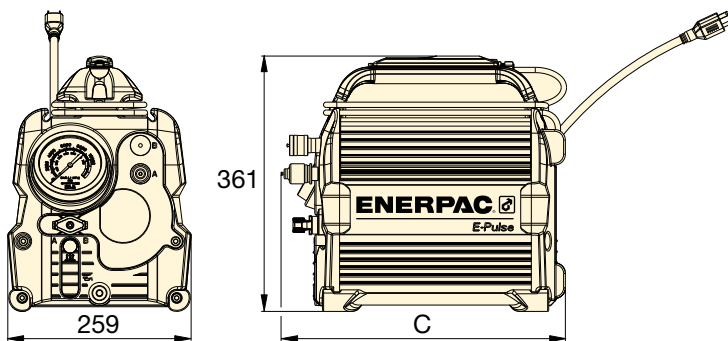
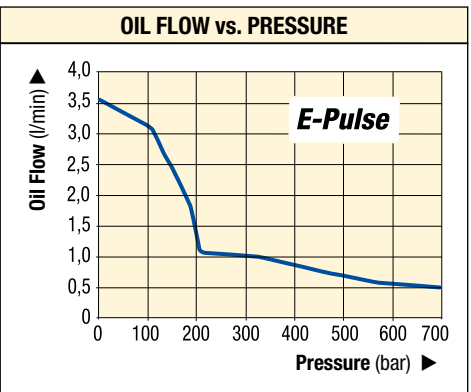
Maximum Operating Pressure:
700 bar



Pendant with 6 metre cord

Interactive Torque Wrench Pendant

- User can set pressure and operate in manual or auto-cycle mode
- Intelligent Auto-Cycle enables press and release actuation to cycle torque wrench until final torque is achieved



▲ EP3504-EM multi-port manifold pump

▼ SELECTION CHART

Number of Wrenches pump can operate	Useable Oil Capacity (litres)	Model Number	Output Flow Rate (l/min)				Motor Voltage (VAC)	Current Draw (Amps)	Plug Type	Sound Level (dBA)	Dimension C (mm)	Weight (kg) ¹⁾
			1 bar	175 bar	350 bar	700 bar						
1	3,0	EP3504TB	3,61	2,13	0,95	0,52	100-120	12	NEMA 5-15	70-85	401	20,4
		EP3504TI	3,61	2,13	0,95	0,52	200-250	7	NEMA 6-15	70-85	401	20,4
		EP3504TE	3,61	2,13	0,95	0,52	200-250	7	Schuko CEE 7/7	70-85	401	20,4
2	3,0	EP3504TB-M *	3,61	2,13	0,95	0,52	100-120	12	NEMA 5-15	70-85	429	21,7
		EP3504TI-M *	3,61	2,13	0,95	0,52	200-250	7	NEMA 6-15	70-85	429	21,7
		EP3504TE-M *	3,61	2,13	0,95	0,52	200-250	7	Schuko CEE 7/7	70-85	429	21,7

* Pump model with multi-port manifold.

¹⁾ with oil



BOLTING SOLUTIONS

Enerpac's comprehensive range of bolting equipment provides precise and effective force to make your work more productive, safer, and easier to perform. The best solutions for controlled tightening, joint integrity and more, available from one source.

Controlled Tightening and Loosening



Manual Torque Multipliers

Pneumatic and Electric Torque Wrenches

Hydraulic Torque Wrenches

Battery-Powered Torque Wrench Pumps

Electric Torque Wrench Pumps

Pneumatic Torque Wrench Pumps

Tensioning Tools



Topside Bolt Tensioners

Power Generation Bolt Tensioners

Electric Tensioning Pumps

Pneumatic Tensioning Pumps

High-Pressure Hand Pumps

Joint Assembly & Joint Separation



Hydraulic Nut Cutters and Nut Splitters

Flange Alignment Tools

Mechanical Flange Face Tool

Flange Spreading Wedges

Flange Maintenance Tools



www.enerpac.com

